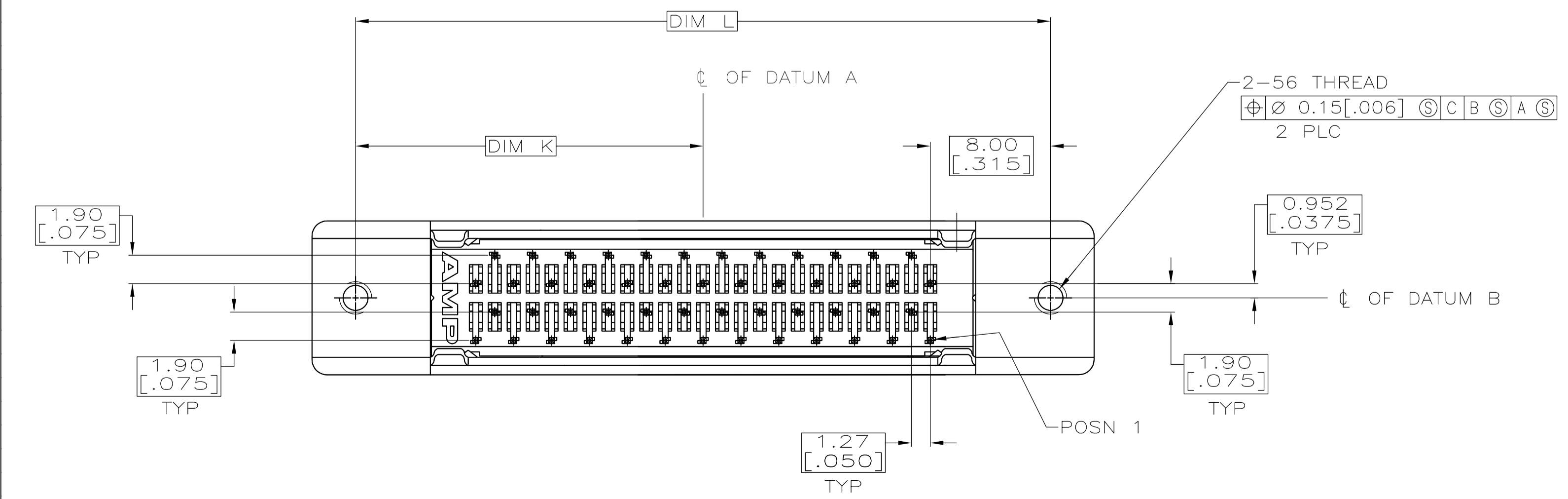


- ① POSITION TOLERANCE APPLIES AT CONTACT TIP.
- ② POSITION NUMBERS SHOWN FOR REFERENCE ONLY.
- ③ HOUSING: POLYPHTHALAMIDE, BLACK, UL 94-VO RATED.
- ④ SHELL: CARBON STEEL.
- ⑤ CONTACTS: PHOSPHOR BRONZE.
- ⑥ BRACKET: ZINC.
- ⑦ SHELL: 5.08μm [.000200] MIN NICKEL OVER 1.27μm [.000050] MIN COPPER.
- ⑧ BRACKET: 3.81μm [.000150] MIN NICKEL OVER 5.08μm [.000200] MIN COPPER.
- ⑨ CONTACTS: EITHER 0.76μm [.000030] MIN GOLD PLATE OR GOLD FLASH OVER PALLADIUM NICKEL PLATE, 0.76μm [.000030] MIN TOTAL, FOR A LENGTH OF 0.64 [.025] MIN, 0.13 [.005] MAX FROM MATING END, 1.27μm [.000050] MIN TIN ON OPPOSITE END FOR A LENGTH OF 4.78 [.188] MIN, ALL OVER 1.27μm [.000050] MIN NICKEL UNDERPLATE.
- ⑩ PC BOARD HOLE RECOMMENDATIONS:
 - A. HOLES SHOULD BE DRILLED WITH A 0.701 [.0276] DRILL.
 - B. PC BOARD PLATING TO BE 7.62μm [.000300] MIN TIN OVER 0.025-0.038 [.0010-.0015] COPPER.
 - C. RECOMMENDED HOLE SIZE AFTER TIN PLATING IS 0.56-0.66 [.022-.026].



PER DETAIL X	96.90 [3.815]	74.93 [2.950]	79.15 [3.116]	86.74 [3.415]	90.93 [3.580]	45.47 [1.790]	120	1-5786554-0
PER DETAIL X	84.20 [3.315]	62.23 [2.450]	66.45 [2.616]	74.04 [2.915]	78.23 [2.915]	39.12 [1.540]	100	5786554-9
PER DETAIL X	63.88 [2.515]	41.91 [1.650]	46.13 [1.816]	53.72 [2.115]	57.91 [2.280]	28.96 [1.140]	68	5786554-7
PER DETAIL Y	52.45 [2.065]	30.48 [1.200]	34.70 [1.366]	42.29 [1.665]	46.48 [1.830]	23.24 [.915]	50	5786554-5
PER DETAIL Y	37.21 [1.465]	15.24 [.600]	19.46 [.766]	27.05 [1.065]	31.24 [1.230]	15.62 [.615]	26	5786554-2
PER DETAIL X	33.40 [1.315]	11.43 [.450]	15.65 [.616]	23.24 [.915]	27.43 [1.080]	13.72 [.540]	20	5786554-1
RECOMMENDED PCB MTG DIMENSIONS	R	P	N	M	L	K	NO OF POSN	PART NO

THIS DRAWING IS A CONTROLLED DOCUMENT.

DIMENSIONS: mm [INCHES]	TOLERANCES UNLESS OTHERWISE SPECIFIED:	DIN 9137	02-25-05
0 PLC ± .01	1 PLC ± .015	ATTADIA - DOCKS	02-25-05
2 PLC ± .02	3 PLC ± .03	SHUEY	
4 PLC ± .04	5 PLC ± .05	WALMSLEY	02-25-05
6 ANGLES ± .01		NAME	
		RECEPTACLE ASSEMBLY, SHIELDED, VERTICAL, RAILED, ACTION PIN FOR .062 TO .093 THICK BD, AMPLIMITE .050 SERIES	
MATERIAL	FINISH	SIZE	CAGE CODE
3 4 5 6	7 8 9	A1	00779
CUSTOMER DRAWING		SCALE	SHEET
		4:1	1 OF 1